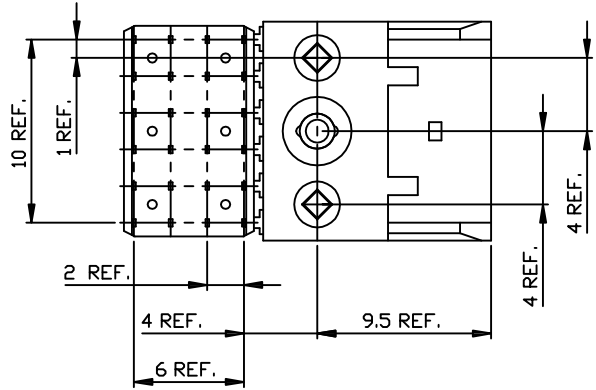
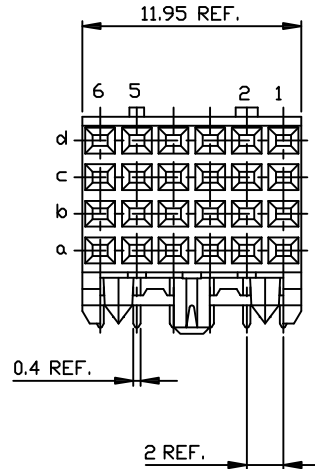
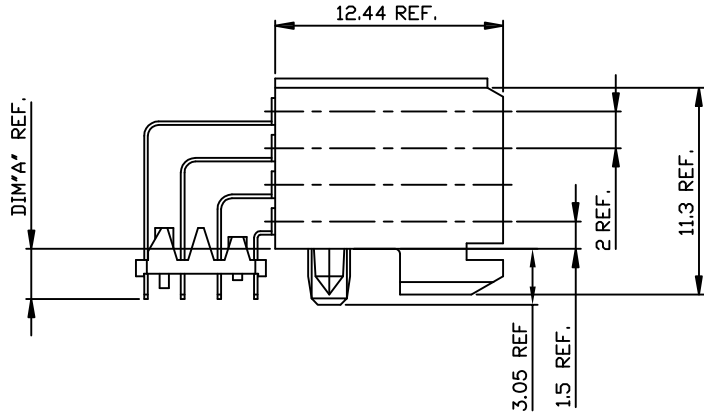
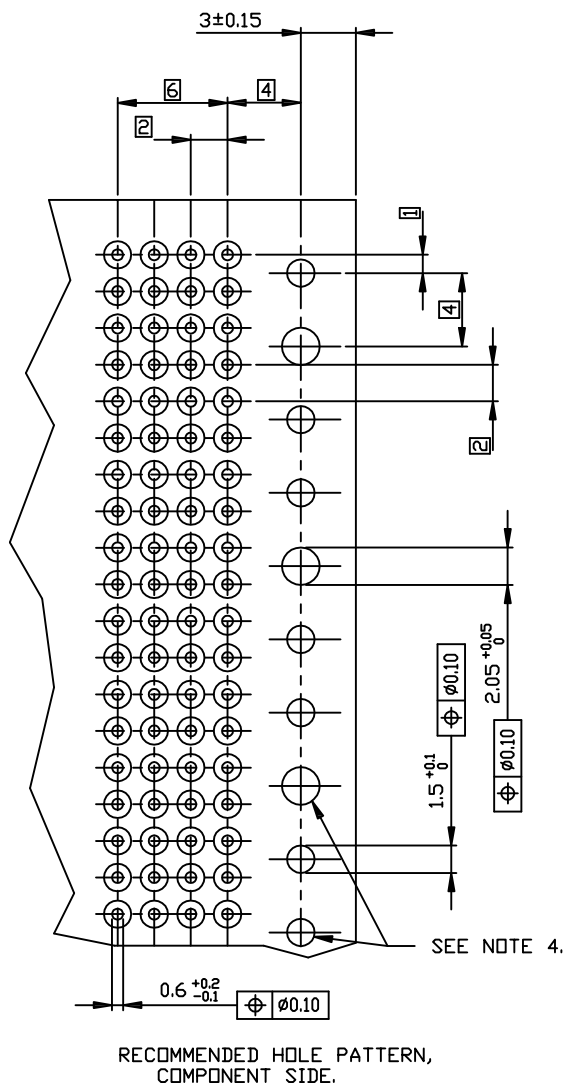
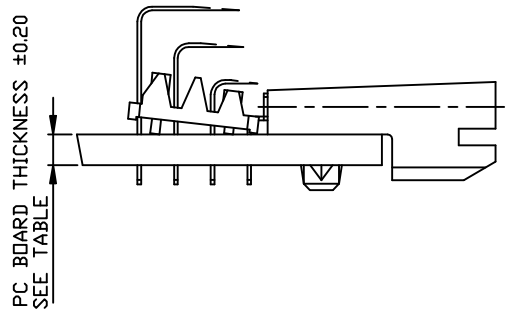


PC BOARD VERSIONS		
PRODUCTNR	PCB THICKNESS	DIM'A'
89035-X01	1.6	2.90
89035-X11	2.4	3.53
89035-X01LF	1.6	2.90
89035-X11LF	2.4	3.53



PRODUCT AFTER PC BOARD APPLICATION.



RECOMMENDED HOLE PATTERN, COMPONENT SIDE.

- NOTES:
- BODY MAT'L LIQUID CRYSTAL POLYMER 30% GLASS
FLAME RETARDANT ACC. UL 94-V0
 - TERMINAL MATERIAL: PHOSPHOR BRONZE.
 - PLATING SOLDER TAILS 2-8 um SnPb 90-97 OR 2-8 um PURE Sn FOR LEAD FREE.
 - INDICATED HOLES ARE UNPLATED.
 - PRODUCT MARKING: PARTNUMBER & BATCH ID.
 - THIS PRODUCT MEETS EUROPEAN UNION DIRECTIVES AND OTHER COUNTRY REGULATIONS AS DESCRIBED IN GS-22-009.
 - THE HOUSING WILL WITHSTAND EXPOSURE TO 260DEGREE PEAK TEMPERATURE FOR 10 SECONDS IN A WAVE SOLDER APPLICATION.

PLATING CONTACT AREA:

DASH NR:	PERFORMANCE LEVEL
-1YY	TELCORDIA CO
-2YY	CUSTOMER SPECIAL
-3YY	CUSTOMER SPECIAL
-9YY	TELCORDIA CO
-1YYLF	TELCORDIA CO
-2YYLF	CUSTOMER SPECIAL
-3YYLF	CUSTOMER SPECIAL
-9YYLF	TELCORDIA CO

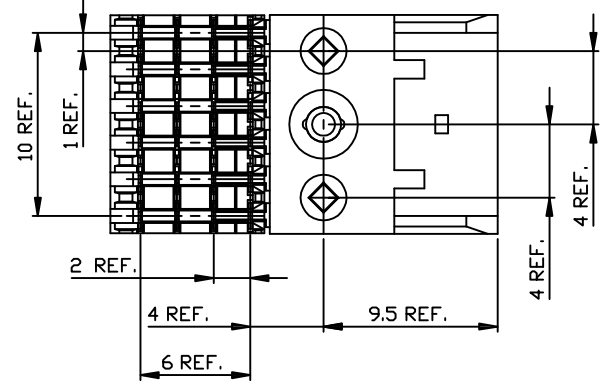
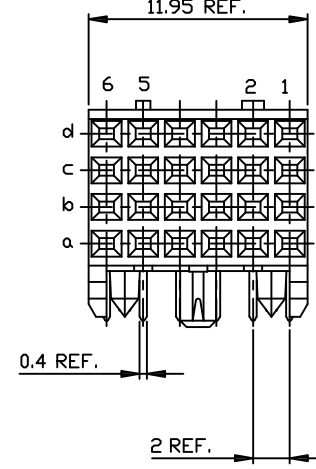
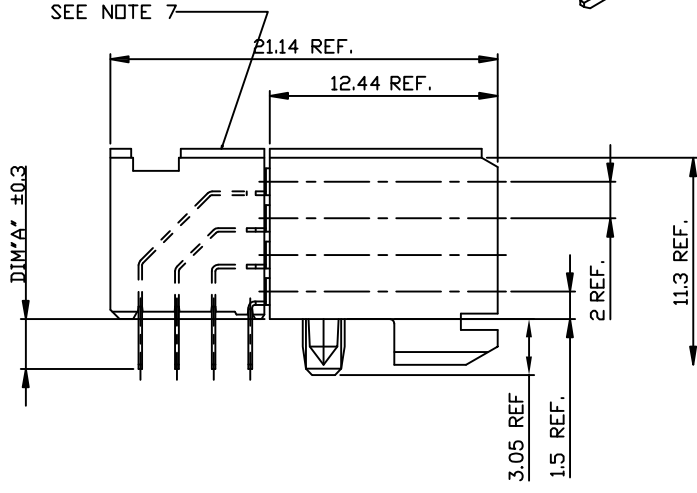
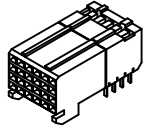
mat'l code		tolerances unless otherwise specified		CUSTOMER CDPY		FCJ	
l	tr.ecn	n	odr	d	date	linear	projection
H	0604-004	CLU		041220			title
J	0006-0478	Denh		11/23/06			RA FEMALE SIGNAL
K	0607-0171	Denh		05/25/07		angles	12 mm PRESS PEG
L	0608-0171	TER		8/26/08	dr	H.Boulinegt	921216
					engr	H. Boulinegt	940311
F	V00578	LLA	000316	chr	P.Schalk	921222	scale
G	V00847	LLA	000530	app	J.Vintjes	921222	5:1
sheet	revision	L	L	L			mm
Index	sheet	1	2	3			product family
							METRAL(tn)
							code
							213
							size
							dwg no
							89035
							sheet
							1 of 3

All rights strictly reserved. Reproduction or use in any form without written authority from the proprietor. FCJ Inc.

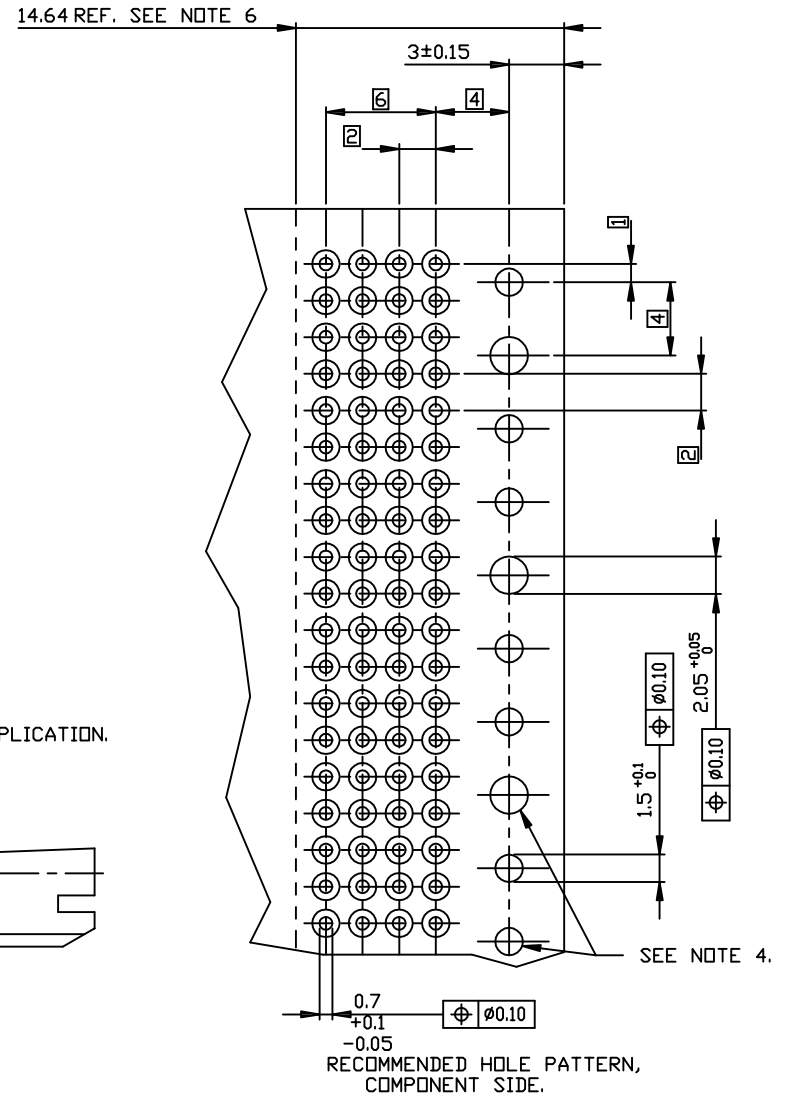
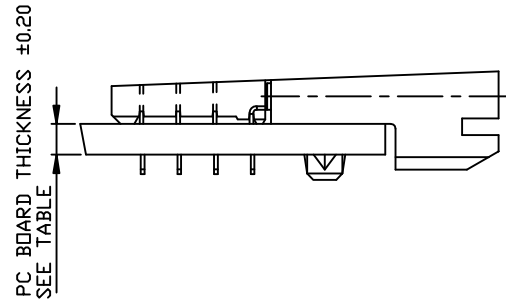


All rights strictly reserved. Reproduction or use in any form without written authority from the proprietor.
 Tous droits strictement réservés. Reproduction ou utilisation sans autorisation écrite du propriétaire.
 © F.C.I. Inc.

PC BOARD VERSIONS		
PRODUCTNR.	PCB THICKNESS	DIM'A'
89035-X02	1.6	2.90
89035-X12	2.4	3.53
89035-X02LF	1.6	2.90
89035-X12LF	2.4	3.53



PRODUCT AFTER PC BOARD APPLICATION.



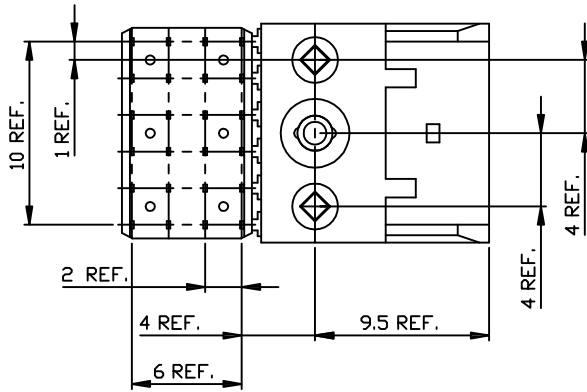
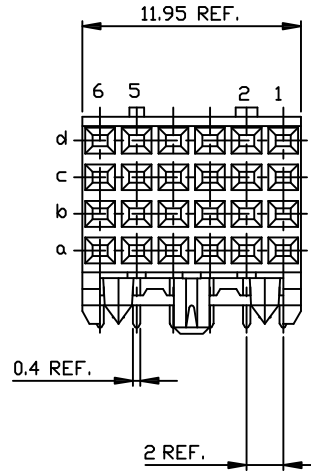
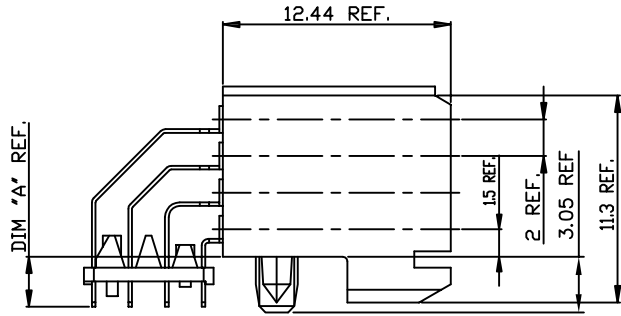
- NOTES:
- BODY MAT'L: LIQUID CRYSTAL POLYMER 30% GLASS
FLAME RETARDANT ACC. UL 94-V0
 - TERMINAL MATERIAL: PHOSPHOR BRONZE.
 - PLATING SOLDER TAILS 2-8 μ m SnPb 90-97 OR 2-8 μ m PURE Sn
 - INDICATED HOLES ARE UNPLATED.
 - PRODUCT MARKING: PART NUMBER & BATCH ID.
 - SET BACK FOR PRESS BLOCK.
 - TOP SURFACE OF PRESS BLOCK MAY EXTEND UP TO 0.4MM HIGHER THAN HOUSING. THIS MAY AFFECT THE TAIL LENGTH BEFORE APPLICATION TO A BOARD.
 - THIS PRODUCT MEETS EUROPEAN UNION DIRECTIVES AND OTHER COUNTRY REGULATIONS AS DESCRIBED IN GS-22-008.
 - THE HOUSING WILL WITHSTAND EXPOSURE TO 260 DEGREE PEAK TEMPERATURE FOR 10 SECONDS IN A WAVE SOLDER APPLICATION.

PLATING CONTACT AREA:

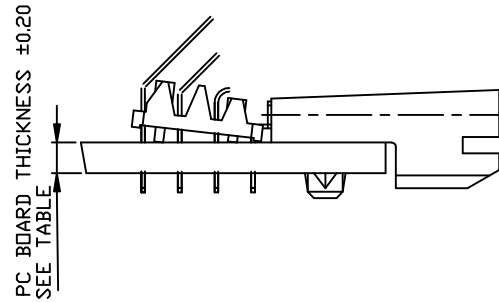
DASH NR:	PERFORMANCE LEVEL
-1YY	TELCORDIA CO
-2YY	CUSTOMER SPECIAL
-3YY	CUSTOMER SPECIAL
-9YY	TELCORDIA CO
-1YYLF	TELCORDIA CO
-2YYLF	CUSTOMER SPECIAL
-3YYLF	CUSTOMER SPECIAL
-9YYLF	TELCORDIA CO

mat'l. code		tolerances unless otherwise specified		CUSTOMER COPY		 www.fciconnection.com	
l	tr	ec	n	no	dr	date	
linear				projection		title	
angles						RA FEMALE SIGNAL 12 mm PRESS PEG	
dir	il	de	ill	970529	product family	METRAL(tn)	code
engr	P. Schalk	970529			size	dwg no	213
chr	P. Schalk	970529			scale	5d1	sheet
app	H. Coolmans	970529					2 of-
sheet	revision						
Index	sheet						

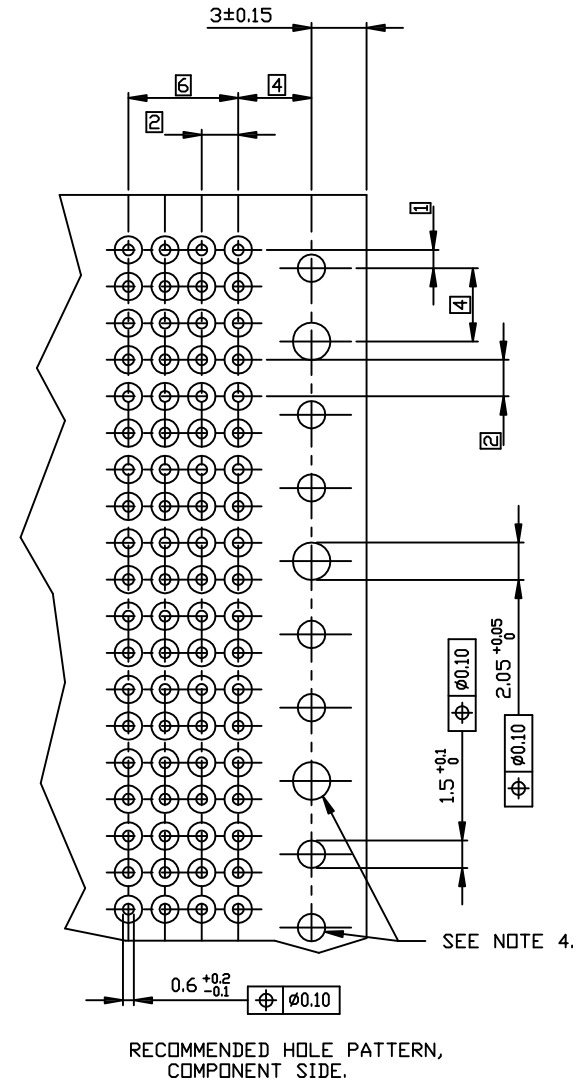
PC BOARD VERSIONS		
PRODUCTNR	PCB THICKNESS	DIM 'A'
89035-X03	1.6	2.90
89035-X13	2.4	3.53
89035-X03LF	1.6	2.90
89035-X13LF	2.4	3.53



PRODUCT AFTER PC BOARD APPLICATION.



PC BOARD THICKNESS ±0.20
SEE TABLE



RECOMMENDED HOLE PATTERN,
COMPONENT SIDE.

SEE NOTE 4.

NOTES:

- BODY MAT'L: LIQUID CRYSTAL POLYMER 30% GLASS
FLAME RETARDANT ACC. UL 94-V0
- TERMINAL MATERIAL: PHOSPHOR BRONZE.
- PLATING SOLDER TAILS 2-8 um SnPb 90-97 OR 2-8 um PURE Sn FOR LEAD FREE.
- INDICATED HOLES ARE UNPLATED.
- PRODUCT MARKING: PARTNUMBER & BATCH ID.
- THIS PRODUCT MEETS EUROPEAN UNION DIRECTIVES AND OTHER COUNTRY REGULATIONS AS DESCRIBED IN GS-22-008.
- THE HOUSING WILL WITHSTAND EXPOSURE TO 260 DEGREE PEAK TEMPERATURE FOR 10 SECONDS IN A WAVE SOLDER APPLICATION.

PLATING CONTACT AREA:

DASH NR:	PERFORMANCE LEVEL
-1YY	TELCORDIA CO
-2YY	CUSTOMER SPECIAL
-3YY	CUSTOMER SPECIAL
-9YY	TELCORDIA CO
-1YYLF	TELCORDIA CO
-2YYLF	CUSTOMER SPECIAL
-3YYLF	CUSTOMER SPECIAL
-9YYLF	TELCORDIA CO

mat'l. code		tolerances unless otherwise specified		CUSTOMER COPY		FCI	
l	tr	ec	n	o	dr	date	
				linear	projection	title	www.fciconnection.com
				angles	⊕	RA FEMALE SIGNAL	
				dir: Heaven Cen 11/23/06	mm	12 mm PRESS PEG	
				eng: Collins Lu 11/23/06	scale	product family METRAL(tm)	code
				chr: Beer Fu 11/23/06	5d	size dwg no	213
				app: Joseph Hala 11/23/06		89035	sheet
sheet	revision						3 of-
Index	sheet						